

INSTRUCTION SHEET



KEPCO An ISO 9001 Company.

**MA
FAW/RKW
50V**

MOUNTING ADAPTER FAW/RKW 50V

DESCRIPTION. The Model MA FAW/RKW 50 Mounting Adapter includes an adapter plate and mounting screws that allow a 50W RKW power supply to be easily substituted for a vertically-mounted 50W FAW power supply. Mount the adapter plate to the RKW power supply using the screws provided (see Figure 1), then install the adapter plate in place of the FAW power supply using the screws that previously secured the FAW power supply.

1. MOUNT ADAPTER PLATE TO RKW USING THREE SCREWS AS SHOWN.
2. INSTALL ADAPTER PLATE WITH RKW ATTACHED USING "A" HOLES AND TWO SCREWS PREVIOUSLY USED TO MOUNT FAW POWER SUPPLY (NOT SUPPLIED).

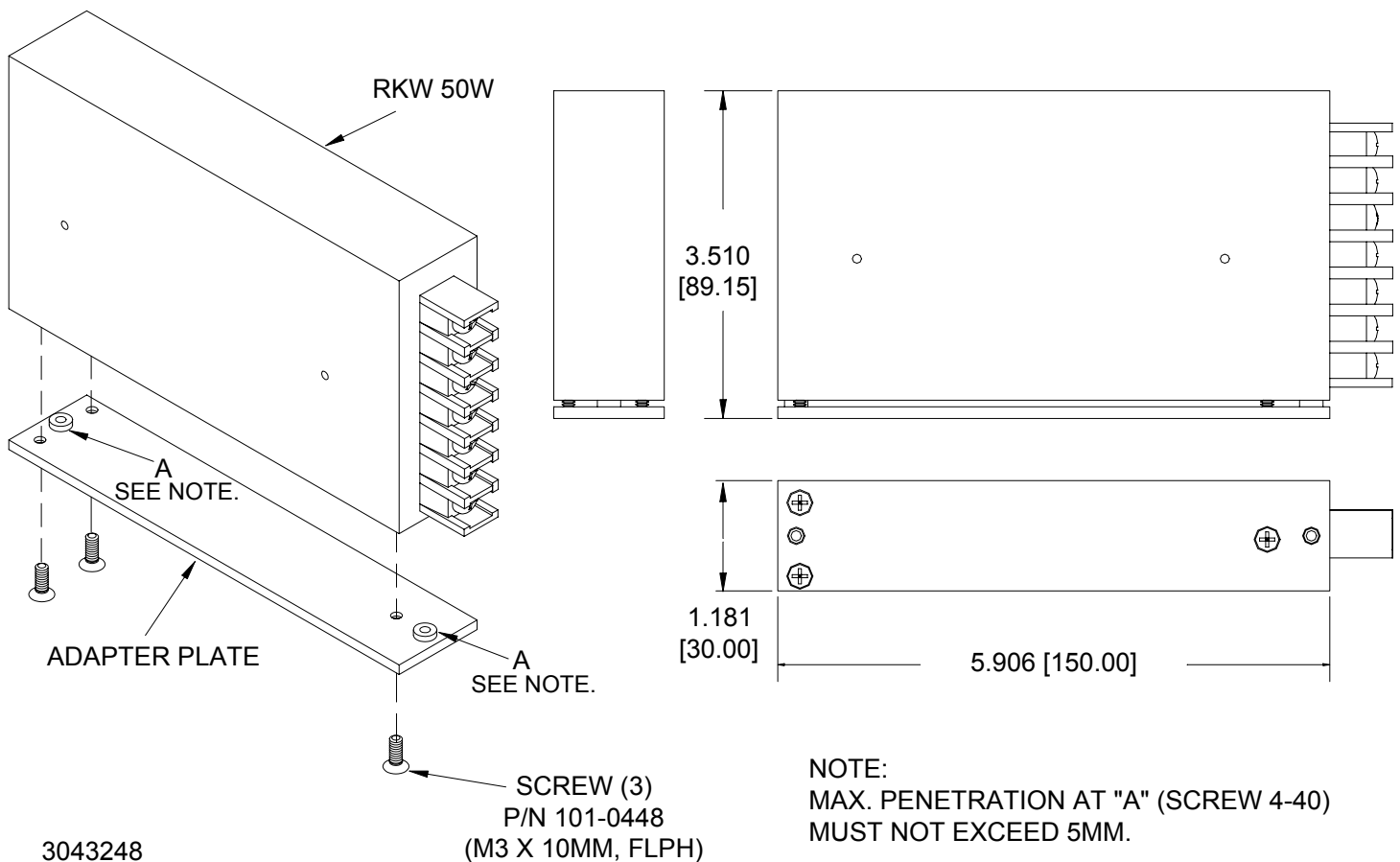


FIGURE 1. ADAPTER PLATE INSTALLATION

KEPCO, INC. ● 131-38 SANFORD AVENUE ● FLUSHING, NY. 11355 U.S.A. ● TEL (718) 461-7000 ● FAX (718) 767-1102
<http://www.kepcopower.com> ● email: hq@kepcopower.com